

1

2

3

4

5

6

A

A

B

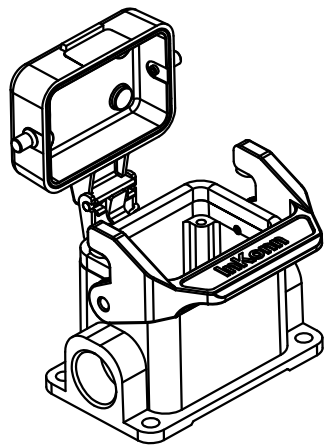
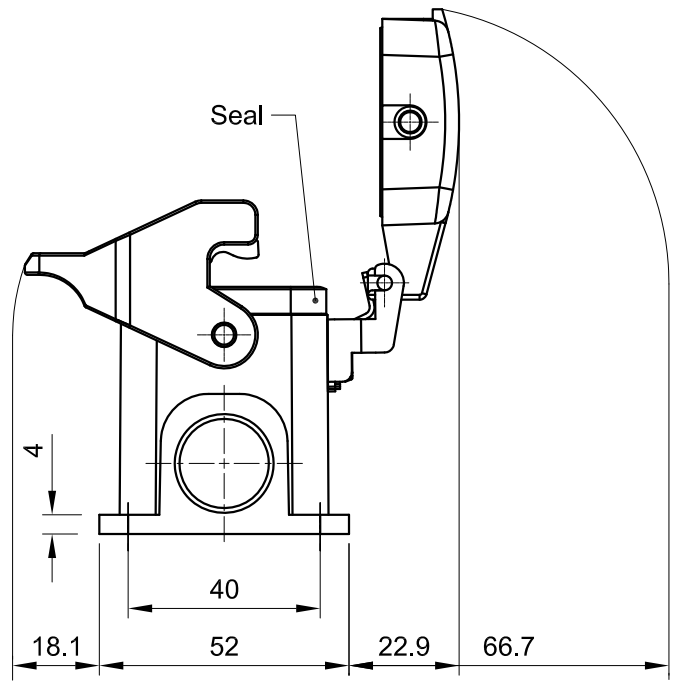
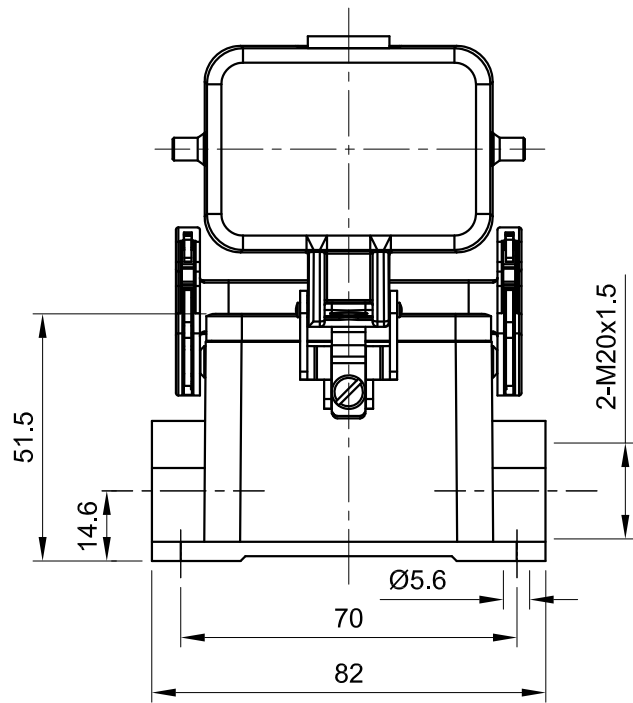
B



C

C

D

D



| | | | | | |
|---|--|---------------------------|--------------------------|-------------|--------------------------------|
|  InKonn (Suzhou) Electric Technology Co.,Ltd. |  All Dimensions in mm Original Size DIN A4 | Date 2019-12-1 | Drawing No. TC2626147 | Rev. A00 | Scale 1:1.5 |
| | Part No. 10 11 006 0654 | Created by Shuxu Huang | Checked by Yiyi Luo | Page 1/1 | Type Name HB6-SM-MC-SL-2M20 |

1

2

3

4

5

6